

3P-ELIMINATOR

FLASH HIDER STAND-ALONE (NON-SOCOM ADAPTER)



5.56MM .223 CAL
7.62MM .308 CAL



PRECISION MACHINED



HEAT TREATED
CHROMOLY



REDUCED
MUZZLE FLASH

DESCRIPTION

SureFire's 3P Eliminator Flash Hiders are constructed of heat-treated steel, precision machined from USA mill-certified bar stock. Each 3P Eliminator Flash Hider features high-precision point barrel interface threads. Featuring robust tines that will withstand the rigors of combat. Muzzle Brakes with a bore diameter of 7.62 or greater feature neutral porting for an even loading of bipod legs; those with a smaller bore diameter have offset porting so that the rifle tracks straight back in recoil. 3P Eliminator Flash Hiders typically result in an impressive 99% overall reduction in muzzle flash compared with a plain muzzle. 3P Eliminators are individually inspected for concentricity and alignment, and is covered by SureFire's No-Hassle Promise.

FEATURES

- Eliminates over 99.8% of muzzle flash
- Robust tines reduce ringing common to open prong flash hiders
- Nitride QPQ coating provides maximum protection against harsh environmental conditions and facilitates cleaning after extreme use
- High-precision barrel interface threads
- Precision CNC machined from USA mill-certified bar stock
- Made in the USA

SUREFIRE ADAPTERS

5.56mm

Flash Hider:
3P-ELIMINATOR-556-1/2-28

7.62mm

Flash Hider:
3P-ELIMINATOR-762-5/8-24



* 3P-ELIMINATOR-556-1/2-28 shown above

3P-ELIMINATOR FLASH HIDER	
FINISH	Nitride Finish
CALIBER	5.56 mm, 7.62 mm
WEIGHT	5.56 - 3.7 oz (109 g) ; 7.62 - 3.5 oz (103 g)
LENGTH	5.56 - 2.6 inches (6.60 cm) ; 7.62 - 2.8 inches (7.11 cm)

*Actual length may vary, depending on which SureFire adapter is used

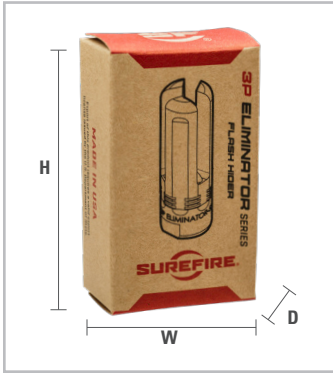


THE WORLD'S FINEST ILLUMINATION TOOLS, SUPPRESSORS, & TACTICAL PRODUCTS®
18300 Mt. Baldy Circle, Fountain Valley, CA 92708 | 714-545-9444 | Fax: 714-545-9537 | surefire.com

Actual product may vary from photo. Prices and specifications subject to change without notice. | Export of the product(s) shown herein must comply with the appropriate U.S. Government Jurisdiction(s) and Regulation(s).

©2019 SureFire, LLC MAR

PACKAGING SPECS



TYPE	Kraft 2 Color Box
HEIGHT	2.75 inches (6.99 cm)
WIDTH	1.65 inches (4.2 cm)
DEPTH	1 inches (2.54 cm)
DISPLAY	Shelf

OTHER VIEWS

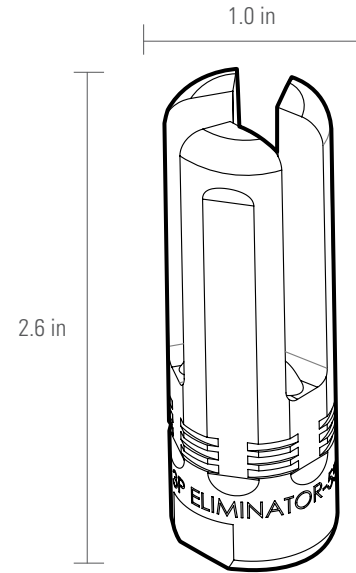


➔ 5.56 mm

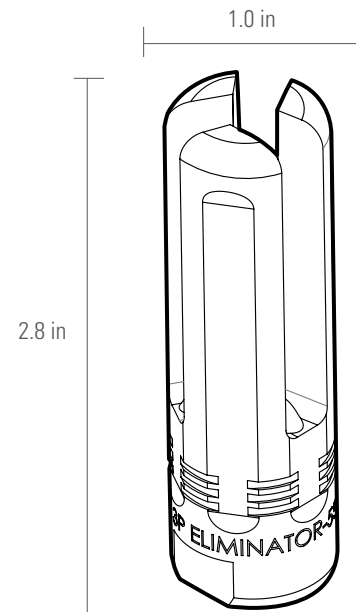


➔ 7.62 mm

BODY SPECS



5.56 mm Actual Size



7.62 mm Actual Size



THE WORLD'S FINEST ILLUMINATION TOOLS, SUPPRESSORS, & TACTICAL PRODUCTS®
18300 Mt. Baldy Circle, Fountain Valley, CA 92708 | 714-545-9444 | Fax: 714-545-9537 | surefire.com

Actual product may vary from photo. Prices and specifications subject to change without notice. | Export of the product(s) shown herein must comply with the appropriate U.S. Government Jurisdiction(s) and Regulation(s).